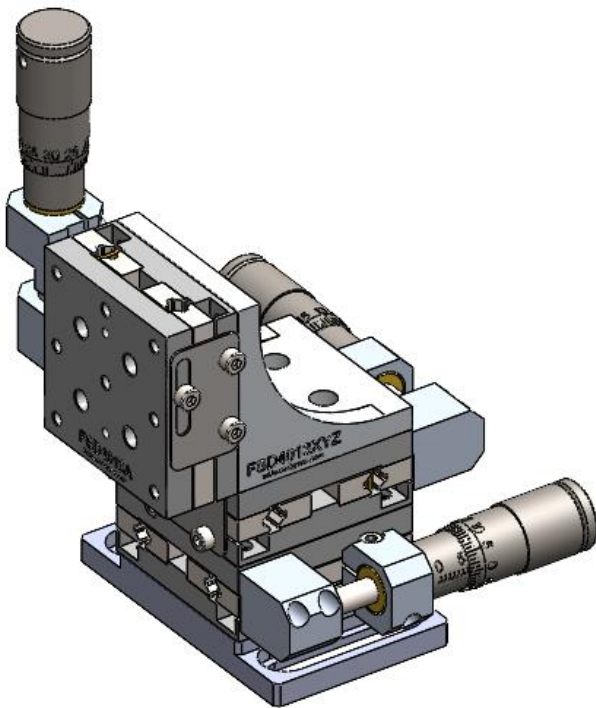


## FSD4013XYZ1

### XYZ Linear Translation Stage



- Micrometer drive
- High sensitivity
- High precision & reliability
- 13mm travel range in X, Y and Z axis
- Supplied assembled in one piece

**FSD4013XYZ1** Metric stage assembly:  
FSD4013A - 3 pieces, FSD10601 - 1 piece,  
FSD10801 - 1 piece.

### Specifications

Travel range	13 mm
Reading accuracy	10 $\mu$ m
Load capacity	1.5 kg
Lead screw pitch	0.5 mm
Weight	0.5 kg

### Drawings

