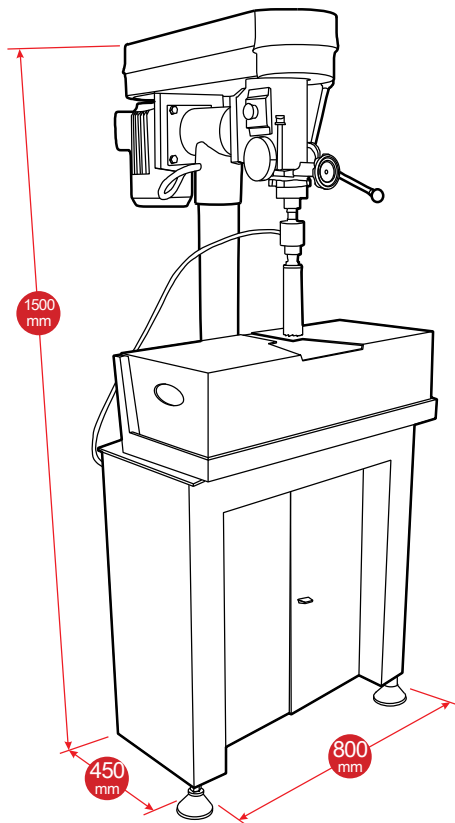


PPA-PM

# CORE PLUGGING MACHINE

Plugging Machine category includes a variety of plugging machines with different specifications and are used to cut smaller core plugs from whole cores taken from the well bore. PPA provides a

variety of Dimond-tipped coring bits, which allows the user to prepare core specimens varying from 0.5 to 5 in diameter. Water cooling system permits rapid and efficient cutting without damages to the bit and the machine, and includes a water pump, water tank, flexible hose, water swivel, and drainage tray. It provides core specimens for Routine and other tests frequently conducted in petroleum reservoir research facilities.



## Specifications

Coring bit internal diameter:	1 inch - 1.5 inch
Maximum coring depth:	5 inch
Compatible coolant:	Water
Drill speed:	Adjustable
Motor power:	2500 watts

