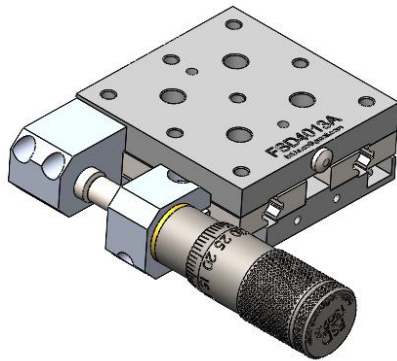


Manufacturer of Opto-Mechanical equipment for research, industry and education.

FSD4013A – Type 1

X-Y Translation Stage

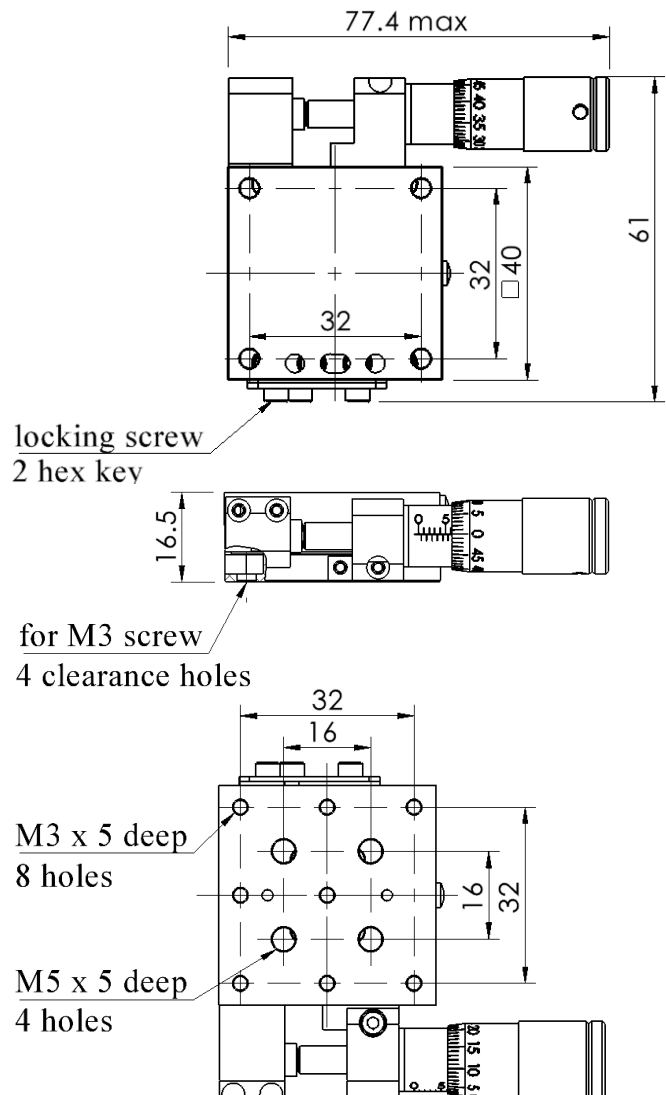


- Compact
- Ball bearing
- High precision
- Travel range 13mm

Specifications

Drive type	Side
Travel range	13 mm
Reading accuracy	10 μ m
Load capacity	
Horizontal	10 kg
Vertical	3 kg
Lead screw pitch	0.5 mm
Guide	Ball bearing
Body material	Aluminium
Finish	Black anodized
Weight	0.12 kg
Assemblies	
X-Y	directly

Drawings



Made in IRAN

