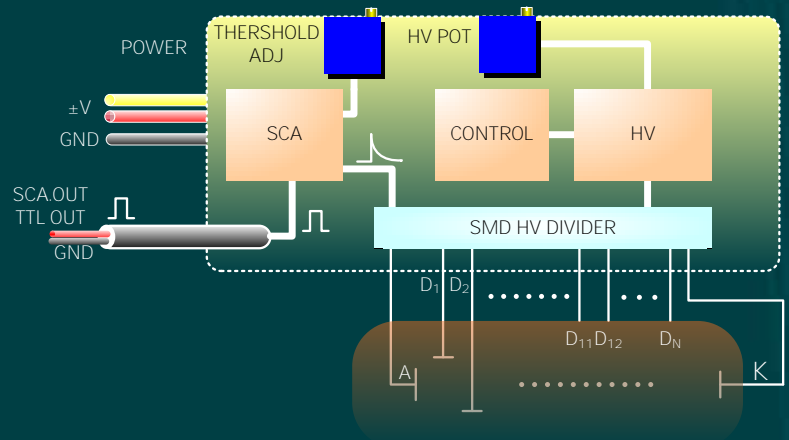
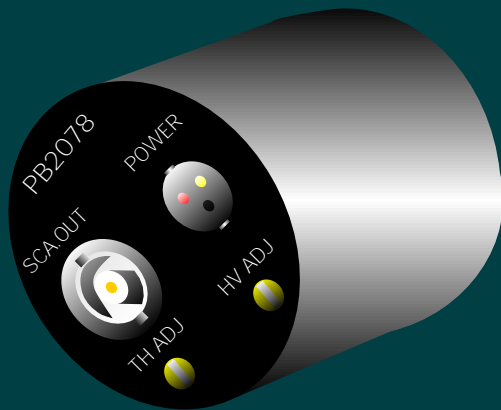


PB2078 - 1", 2", 3", 5"

PMT Drive Socket with discriminator
for photon counting with HV

- All in one
- Compact, easy operation for photon counting
- For scintillation detectors employing 10-stage PMTs that fit standard 14-pin sockets
- Linear output available from anode or tenth dynode
- Internal, adjustable, high-voltage bias supply eliminates high voltage cables
- Convenient, single-cable connection for most applications
- Internal, adjustable threshold for single channel analyzer