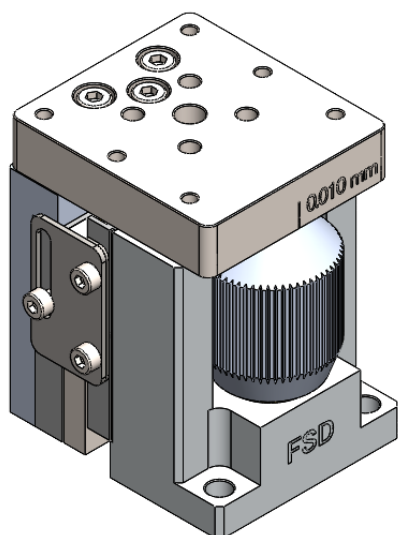


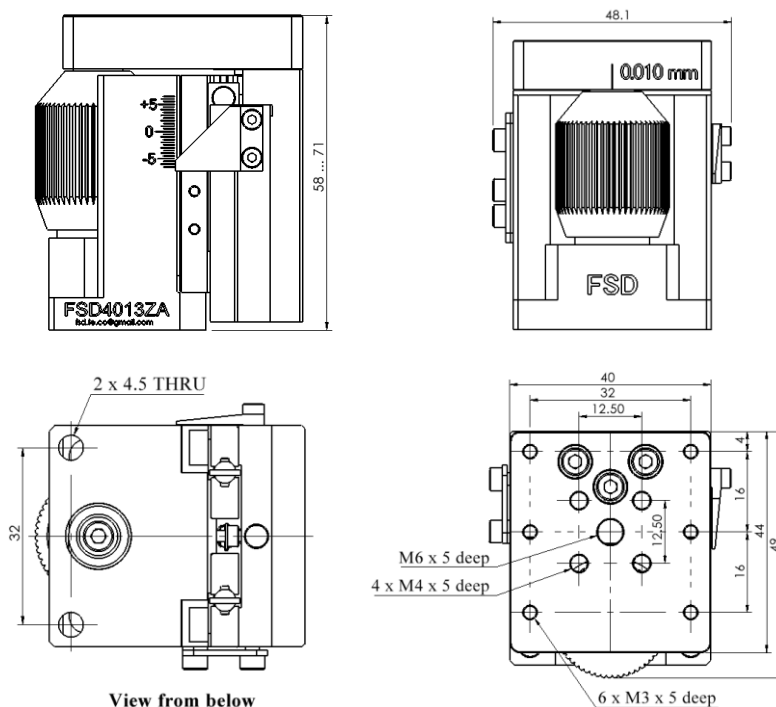
FSD4013Z1

Vertical Stages



- Compact
- Ball bearing
- High precision
- Travel range 13mm

Drawings



Vertical Stages FSD4013Z1 is made in most compact design. Platform is made with central M6 mounting hole, four M4 and six M3 mounting holes for stacking with other objects. Vernier scale is engraved on one side of the stage. Travel range 13 mm. Two $\varnothing 4.5$ mm holes are made in the positioner's platform for mounting on other suitable surfaces.

Specifications

Travel range	13 mm
Reading accuracy	10 μ m
Load capacity	1.5 kg
Lead screw pitch	0.5 mm
Guide	Ball bearing
Body material	Aluminium
Finish	Black anodized
Weight	0.35 kg