



**نوران حسگر صبا**

**Nouran Heshgare Saba**

سهامی خاص

# لیزر فیبری نانوثانیه

## Corewave-NFL1064



[www.sabaphotonics.ir](http://www.sabaphotonics.ir)

Tel : 03133932060

Fax : 03133932059



نوران حسگر صبا

Nouran Hesgare Saba

سهامی خاص

CoreWave's NFL1064 (Nanosecond Fiber Laser) series product are air-cooled, maintenance-free fiber lasers based on the Q-switched technology. The pulse duration could be adjusted from 80 to 120 ns and the average output power is up to 50w. The laser deliver light centered at 1064nm and is guided to the work piece via a flexible metal-sheathed fiber cable.

It is ideal for industrial applications in the field of sheet material cutting, welding, surface cleaning of materials, marking and material deepening, etc.

#### Features

Up to 50 W Output Average

Power

80-120ns Pulse Width

Q-Switch architecture

Compact and Low Cost

Industrial Performance

Maintenance-Free

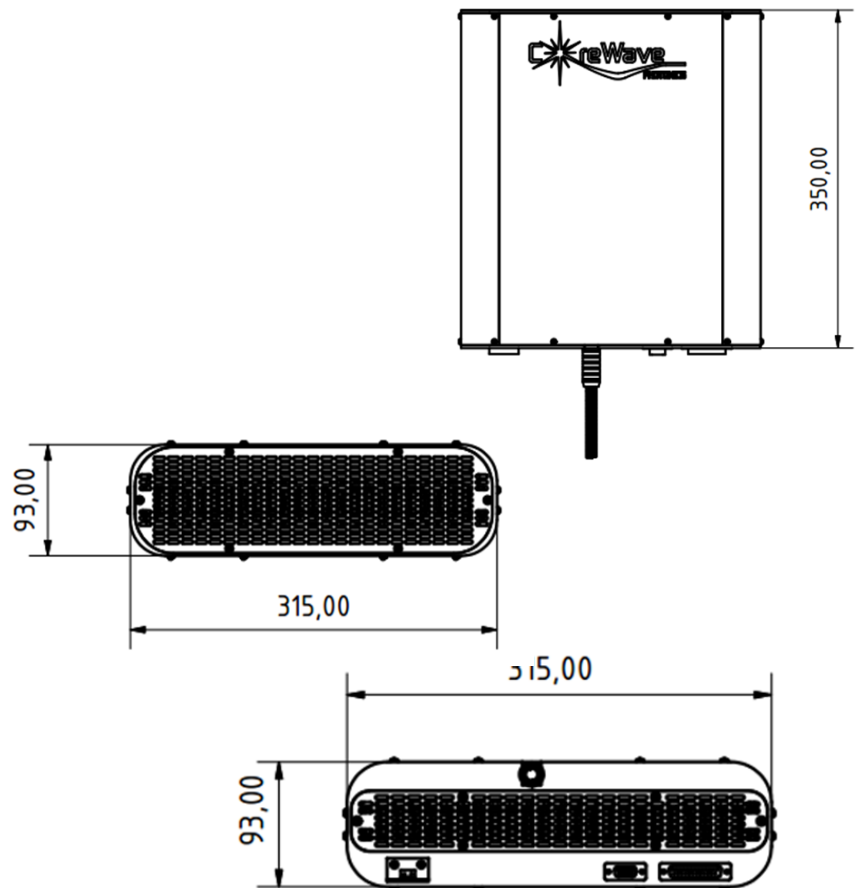
Carry a 2-year Guarantee

#### Applications

Spectroscopy

Material Processing

Medical Diagnosis



[www.sabaphotonics.ir](http://www.sabaphotonics.ir)

Tel : 03133932060

Fax : 03133932059



**نوران حسگر صبا**

**Nouran Hesgare Saba**

سهامی خاص

## Technical Specification :

Central Wavelength	1064 nm
Output Line width (FWHM)	5 nm
Output Average Power	$\leq 50$ W
Output Pulse Energy	$\leq 1$ mj
Output Pulse Width	$\leq 120$ ns
Repetition Rate	20-100 kHz depending upon the output average power
Polarization	Non polarized
Beam Quality (M2)	$\leq 1.5$
Operating Temperature	20 ~ 35 (C°)
Cooling	Air-cooled
Output Fiber	2 m Fiber + Output Isolator
Operating Voltage	220 V @ 50 Hz
Power Consumption	$\leq 100$ W
Dimensions	350×315×90 mm

[www.sabaphotonics.ir](http://www.sabaphotonics.ir)

Tel : 03133932060

Fax : 03133932059