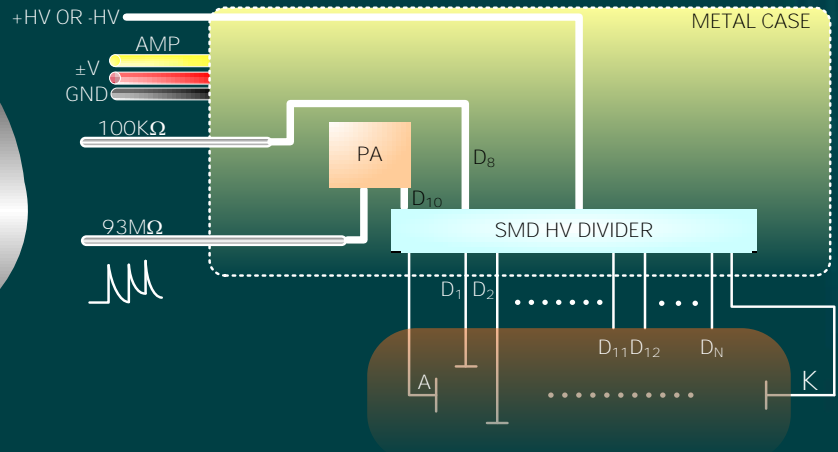
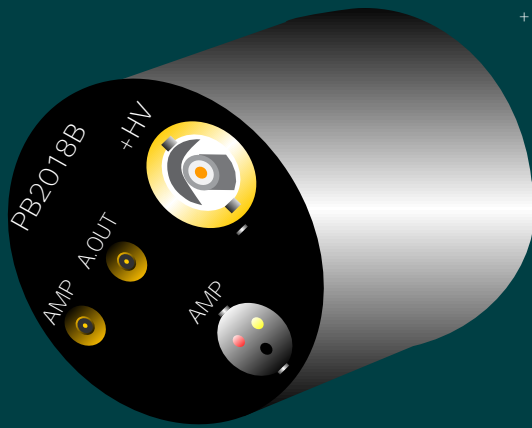


PB2018B - 1"

PMT Drive Socket with amplifier type B



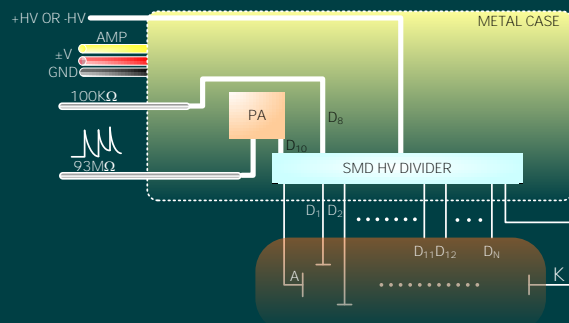
Features:

- Compact, easy operation
- For scintillation detectors employing 10-stage PMTs that fit standard 14-pin sockets
- Linear output available from anode or tenth dynode
- Built-in low-noise preamplifier
- Protection circuit for internal transistors
- Both preamplifier output and anode output(SMA)



PMT Drive Socket with amplifier type B

PB2048B - 2", 3", 5"



Features:

- Compact, easy operation
- For scintillation detectors employing 10-stage PMTs that fit standard 14-pin sockets
- Linear output available from anode or tenth dynode
- Built-in low-noise preamplifier
- Protection circuit for internal transistors
- Both preamplifier output and anode output(BNC)