

## FMC-NKS016-PCIe-A High Pin Count FMC & QSH Carrier Virtex-6 Processing PCIe Card

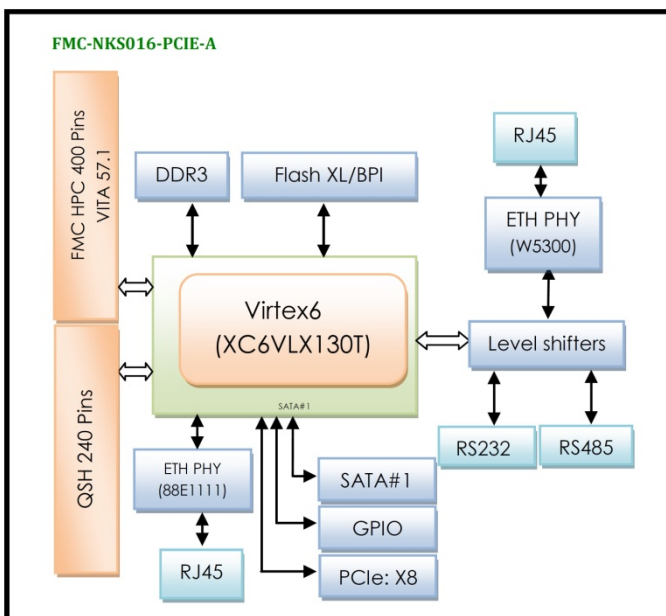
### Description

The FMC-NKS016-PCIe-A board is a high performance FMC industrial carrier card based on the Xilinx Virtex-6 LX130T FPGA family and plugged into a serial PCIe bus system unit supporting 1x, 4x and 8x PCIe data paths, Ethernet10/100 and Ethernet10/100/1000. This board also provides a developed platform for designing and verifying Virtex-6 FPGA based PCIe and stand-alone applications. Communication with a host computer via the PCIe bus and other interfaces enables users to control the card, modify algorithm settings and process real-time signals. The on-board FPGA Mezzanine Connectors (FMC) and QSH can make a high bandwidth data transfer channel with VITA 57.1 and QSH/QTH standard modules.

### Features

- Virtex XC6VLX130T-1FFG1156I Xilinx Device
- PCI Express x8 Edge Connector
- FMC HPC for ADC/DAC FMC Modules Connect to FPGA
- QSH Connector for ADC/DAC QTH Modules Connect to FPGA
- 1 Gb DDR3 Component Memory
- Ethernet PHY 10/100/1000 Interface with RJ-45 Connector
- Enhanced 10/100 Ethernet Full Stack Interface with RJ-45 Connector
- 2x RS485 and 2x RS232 Interface Connect to FPGA
- USB JTAG Through Digilent Module
- User Push-button, Switches, LEDs
- Multi-boot Configuration
- Power on/off Slide Switch
- 12V PCIe HDD Connector or External Voltage Supply
- Physical Dimensions (L: 236 mm, W: 127mm)
- Industrial Temperature Range (-40°C to 85°C)
- Operation System Support: Windows & Linux

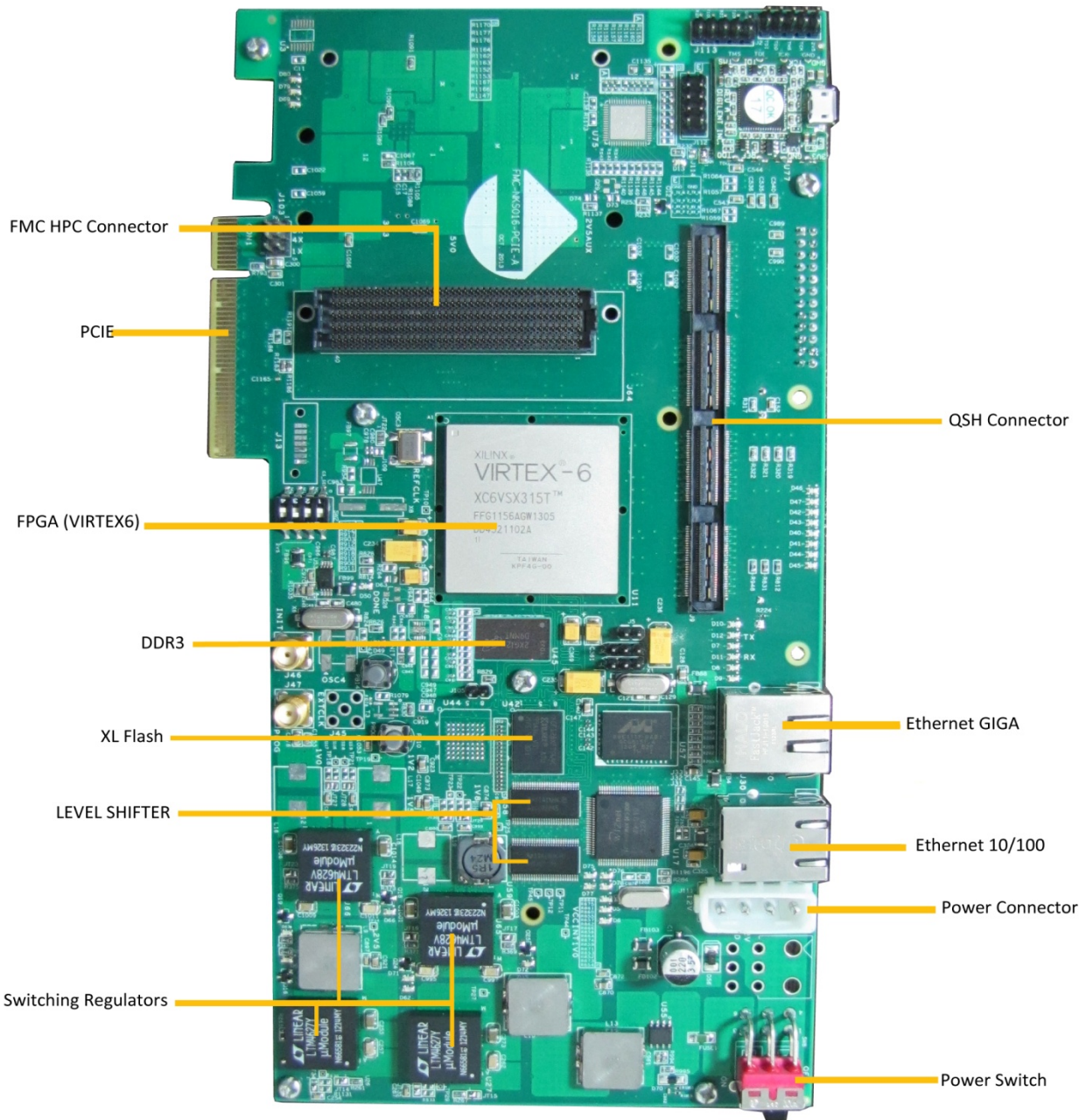
### Functional Block Diagram



### Application

- RADAR/SONAR
- Communications
- Multimode Digital Receivers
- Ultrasound Equipment
- Broadband data Applications

## Board Features



## Compatibility Table

| NIKSOO Platform | Compatibility |
|-----------------|---------------|
| QTH-NKS-01      | Yes           |
| QTH-NKS-02      | Yes           |
| QTH-NKS-02-A    | Yes           |
| QTH-NKS-03      | Yes           |
| QTH-NKS-07      | Yes           |
| QTH-NKS-10      | Yes           |
| QTH-NKS-11      | Yes           |
| QTH-NKS-12      | Yes           |
| QTH-NKS-11-A    | Yes           |
| FMC-NKS-210000  | Yes           |
| FMC-NKS-210210  | Yes           |
| FMC-NKS-402410  | Yes           |
| FMC-NKS-401000  | Yes           |
| FMC-NKS-000210  | Yes           |
| FMC-NKS-110110  | Yes           |
| FMC-NKS-601000  | Yes           |
| FMC-NKS-401110  | Yes           |

## Order Information

