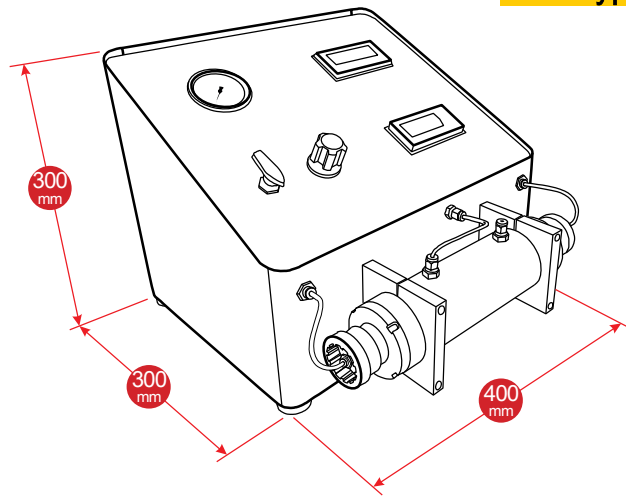


PPA
GPEM.Ed

GAS PERMEAMETER

**Educational
Type**


Gas Permeameter is a basic teaching grade system that measures sample permeability to gas (air, nitrogen, or helium) by the steadystate method. The instrument is designed for the injection of gas through the test sample at various conditions of pressure and flow rates. The injection pressure at the core face is measured using a pressure transducer and the gas flow rate is measured using a precision mass flow meter. An excel spreadsheet calculation template allows for calculation of gas permeability.

Specifications

Permeability Range:	1md to 1 darcy
Core diameter:	1.5 inch
Core length:	1 to 3 inch
Flow Pressure:	Up to 100 psi
Gas flow:	500-0 cc/min
Temperature:	Ambient
Pressure transducer accuracy:	0.25 % F.S.
Flow accuracy:	1 % F.S.

