

INTELART

MOD-B2

Analog Bridge Module

User Manual

www.intelart.ir

08/2021

Warning notice system

This manual contains notices you have to observe in order to ensure your personal safety, as well as to prevent damage to property. The notices referring to your personal safety are highlighted in the manual by a safety alert symbol, notices referring only to property damage have no safety alert symbol. These notices shown below are graded according to the degree of danger.

DANGER

indicates that death or severe personal injury will result if proper precautions are not taken.

WARNING

indicates that death or severe personal injury may result if proper precautions are not taken.

NOTICE

indicates that property damage can result if proper precautions are not taken.

Qualified personnel

The product/system described in this documentation may be operated only by personnel qualified for the specific task in accordance with the relevant documentation, in particular its warning notices and safety instructions.

Qualified personnel are those who, based on their training and experience, are capable of identifying risks and avoiding potential hazards when working with these products/systems

Contents

- 1 Technical Specifications 1
 - 1.1 Hardware Parameters 1
- 2 Wiring..... 2

1 Technical Specifications

1.1 Hardware Parameters

The following table specifies the hardware information of module.

Table 1 Hardware parameters

Functional	Available channels count	1
	Measuring type	• Load Cell
	Sampling rate	100 ms
	Resolution	16 bit
Ambient Conditions	Storage temperature	-15 to 75 °C
	Operating temperature	0 to 55 °C

2 Wiring

The following block diagram shows you information about wiring of the module.

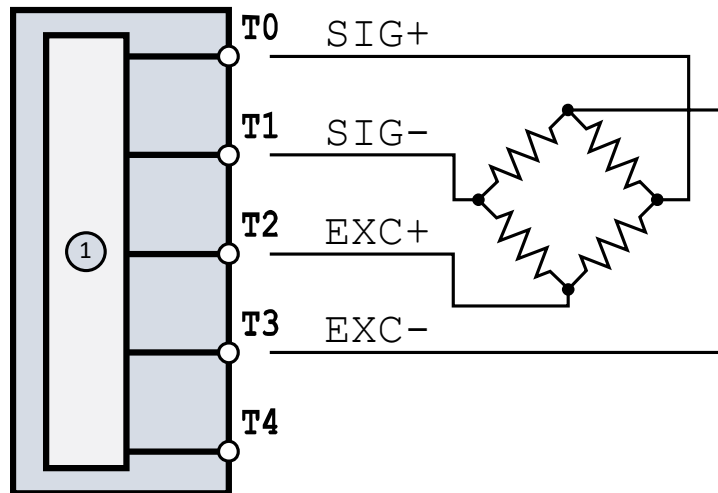


Figure 1 Wiring diagram and terminal assignments

①	Analog module	Tx:	Analog Module Terminal
SIG+:	Positive Signal Terminal	SIG-:	Negative Signal Terminal
EXC+:	Positive Excitation Terminal	EXC-:	Negative Excitation Terminal