

# INTELART

## MOD-T2

Analog Temperature Module

User Manual

[www.intelart.ir](http://www.intelart.ir)

08/2021

## Warning notice system

This manual contains notices you have to observe in order to ensure your personal safety, as well as to prevent damage to property. The notices referring to your personal safety are highlighted in the manual by a safety alert symbol, notices referring only to property damage have no safety alert symbol. These notices shown below are graded according to the degree of danger.

### **DANGER**

indicates that death or severe personal injury will result if proper precautions are not taken.

### **WARNING**

indicates that death or severe personal injury may result if proper precautions are not taken.

### **NOTICE**

indicates that property damage can result if proper precautions are not taken.

## Qualified personnel

The product/system described in this documentation may be operated only by personnel qualified for the specific task in accordance with the relevant documentation, in particular its warning notices and safety instructions.

Qualified personnel are those who, based on their training and experience, are capable of identifying risks and avoiding potential hazards when working with these products/systems

Contents

- 1 Technical Specifications ..... 1
  - 1.1 Hardware Parameters ..... 1
- 2 Wiring..... 2

# 1 Technical Specifications

## 1.1 Hardware Parameters

The following table specifies the hardware information of module.

*Table 1 Hardware parameters*

<b>Functional</b>	Available channels count	1
	Measuring type	<ul style="list-style-type: none"> <li>Linear DC: +/- 16 mV, +/- 32 mV, +/- 64mV, +/- 128 mV, +/- 256 mV, +/- 512 mV, +/- 1024 mV, +/- 2048 mV</li> <li>RTD: PT100, PT1000</li> <li>Thermocouple: K, J, R, T, N, E, B, S, C</li> </ul>
	Sampling rate	500 ms
	Resolution	20 bit
<b>Ambient Conditions</b>	Storage temperature	-15 to 75 °C
	Operating temperature	0 to 55 °C

# 2 Wiring

The following block diagram shows you information about wiring of the module.

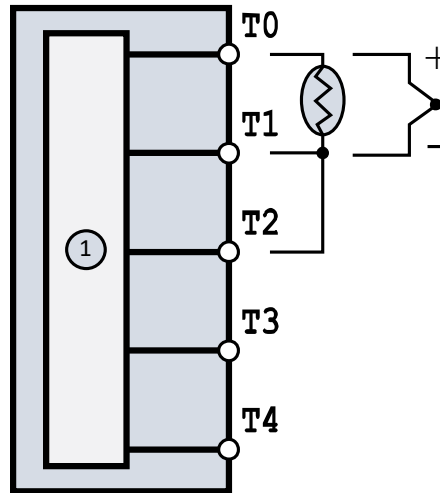


Figure 1 Wiring diagram and terminal assignments

①

Analog module

Tx:

Analog Module Terminal