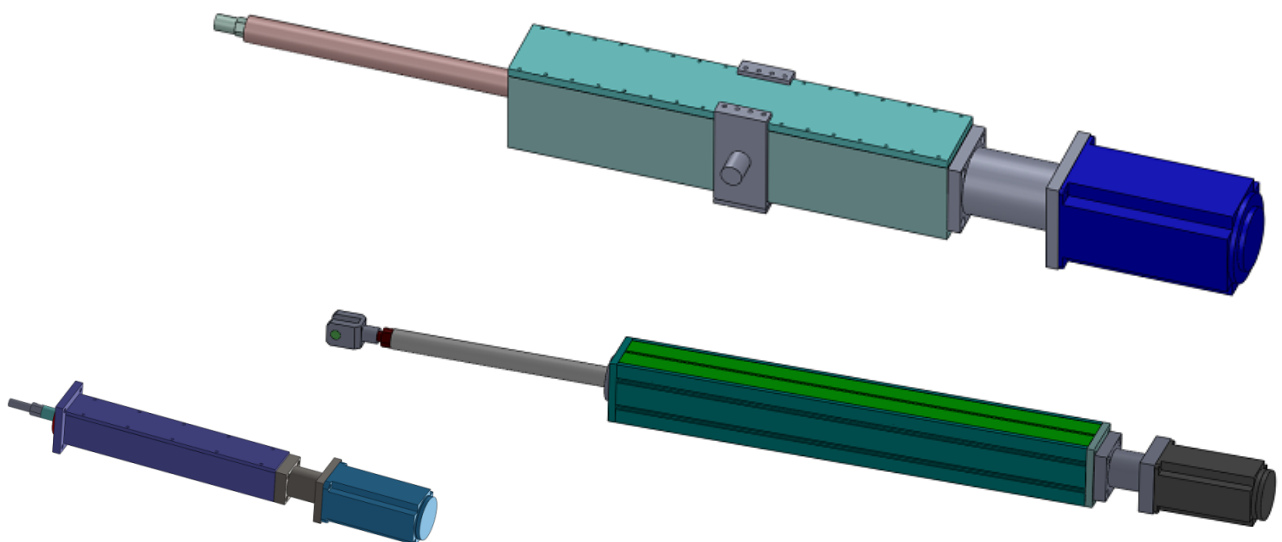
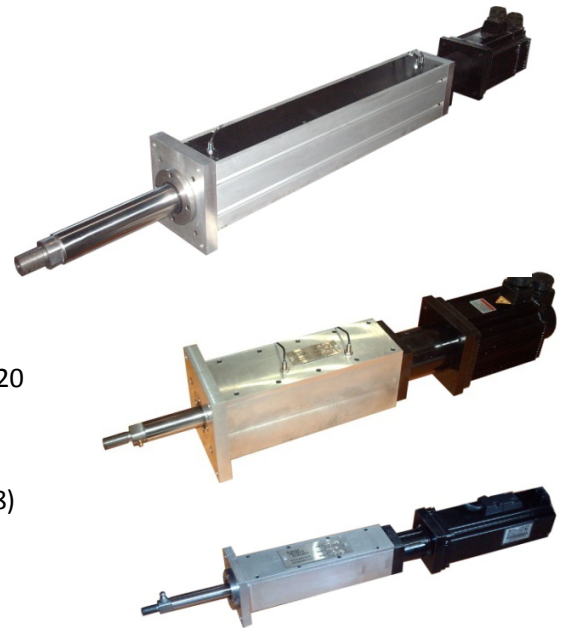


# AMI Linear Actuators



## Electromechanical linear Servo Actuator

- **Max. Force :**
  - 150,200,400kgf for Frame 45\*48
  - 800,1700,3100kgf for Frame 110\*130
  - 3800,5000,9500kgf for Frame 140\*180
  - 12500,21500,70000kgf for Frame 180\*220
- **Stroke :**
  - 50,100,200,300,400,500(For all frames)
  - 600,700,...1500mm (Not for frame 45\*48)
- **Max. speed :** 1250 mm/sec
- **Frame material and size :** Aluminum 45\*48 , 110\*130 , 140\*180 , 180\*220mm
- **Shaft diameter :** 16,30,40,50,60,80,90,110,125mm
- **Servo Motor Size :**
  - Size 40,60 for Frame 45\*48
  - Size 80,110,130 for Frame 110\*130
  - Size 130,150,180 for Frame 140\*180
  - Size 180,220 for Frame 180\*220
- **Software specifications :**
  - Force or displacement based control
  - Determination of square , sinus and triangular waves



Telefax:+98 21 76251044,5

[www.ami.co.ir](http://www.ami.co.ir)

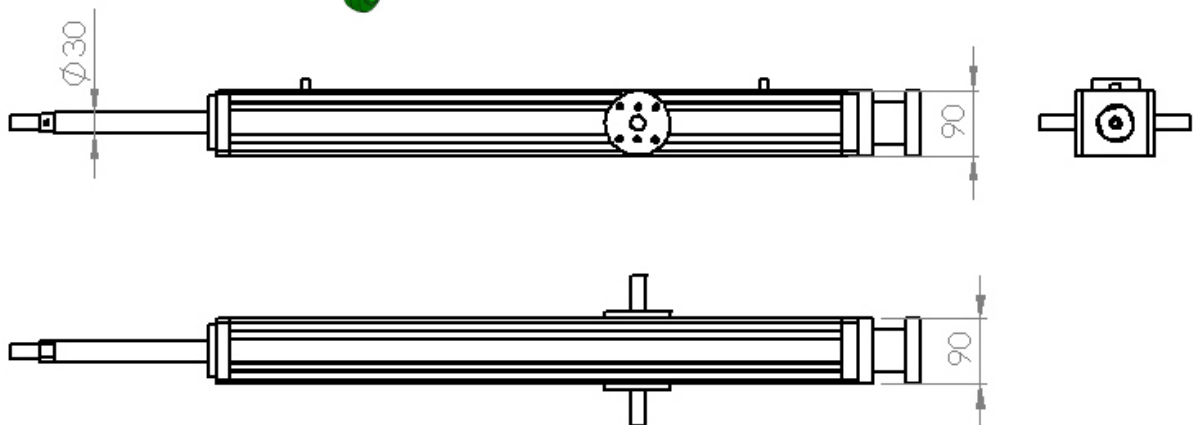
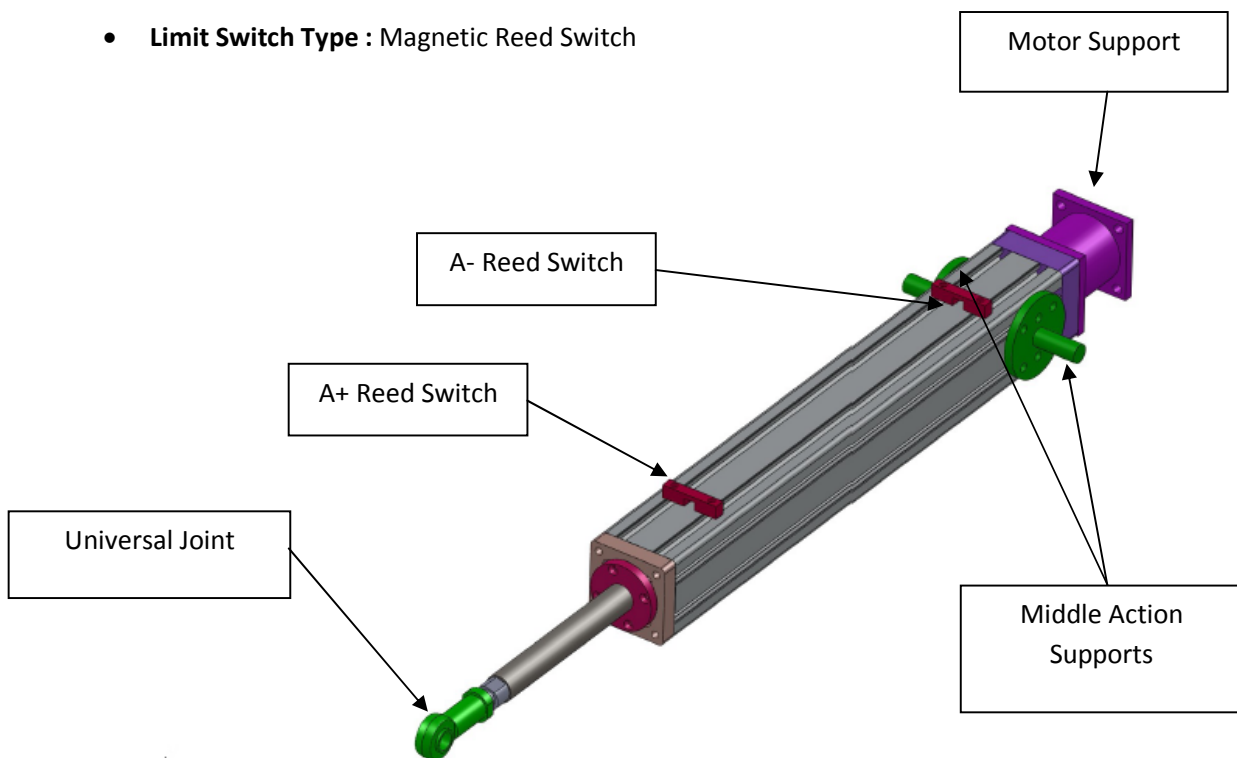
[info@ami.co.ir](mailto:info@ami.co.ir)

# AMI Linear Actuators



## Electromechanical linear Actuator

- **Max. Force** : 800kgf
- **Stroke** : 200,400,700,1300,1900,2500,3000mm
- **Max. speed** : 250 mm/sec.
- **Frame material and size** : Aluminum 90\*90mm
- **Shaft diameter** : 30 mm
- **Limit Switch Type** : Magnetic Reed Switch



Telefax:+98 21 76251044,5

[www.ami.co.ir](http://www.ami.co.ir)

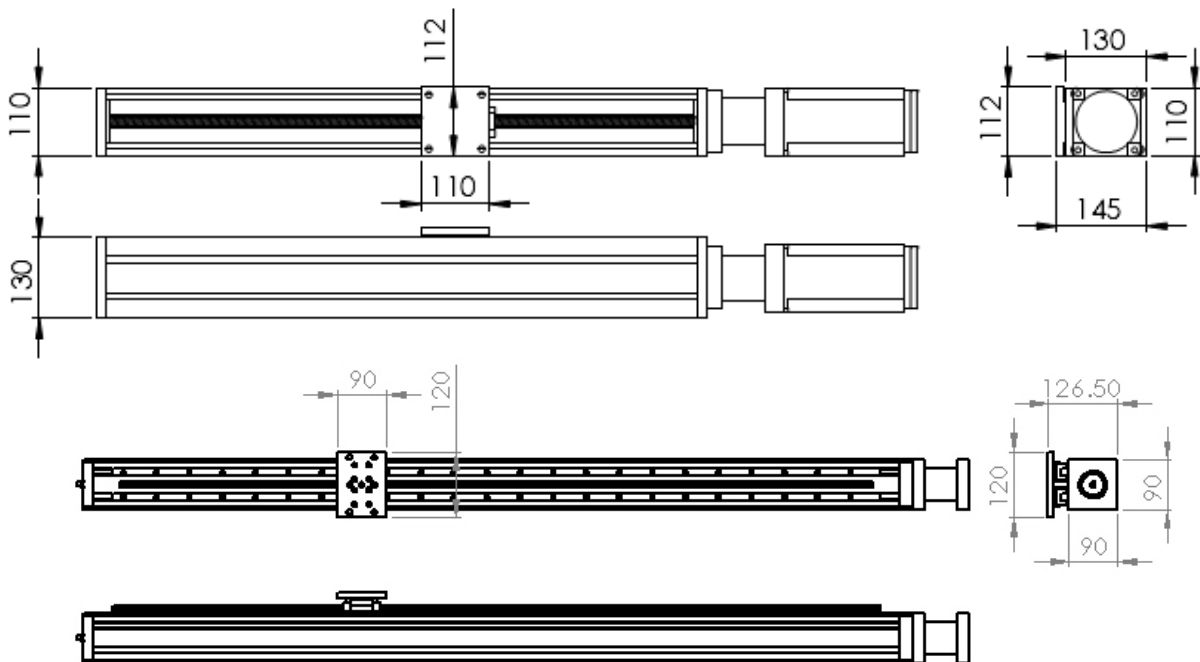
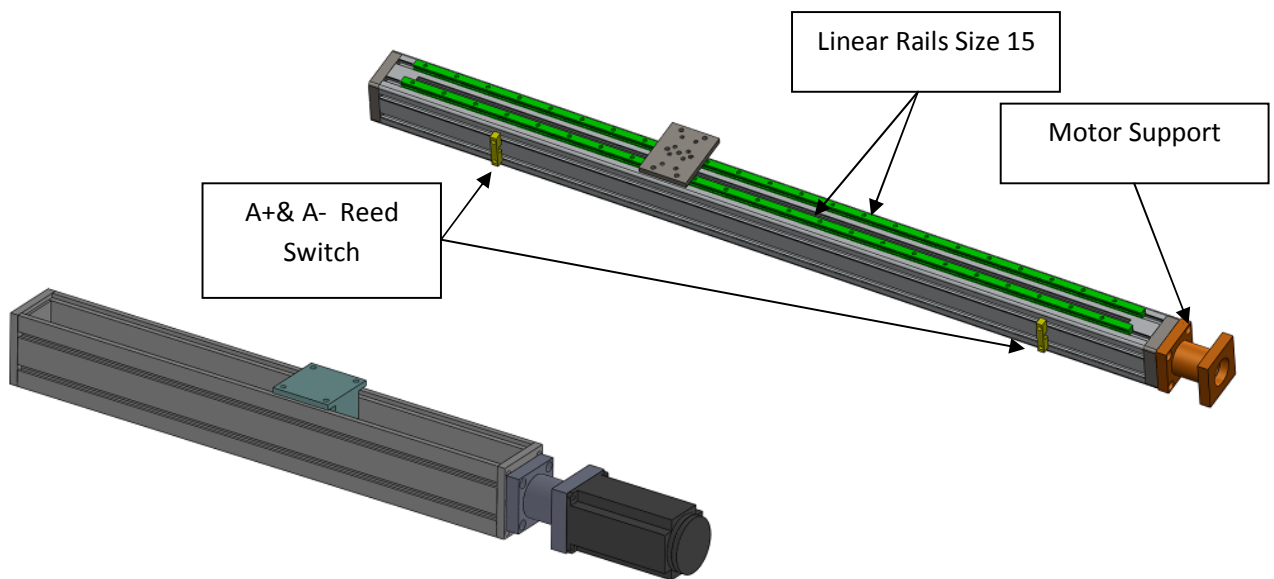
[info@ami.co.ir](mailto:info@ami.co.ir)

# AMI Linear Actuators



## Ball screw driven linear unit

- **Stroke :** 200,400,700,1300,1900,2500,3000,3500,4000mm
- **Type of guide :** linear rail 15 , 20
- **Type of transmission:** Ball screw 16 , 20 , 25 , 32
- **Frame material and size :** Aluminum 90\*90 , 110\*130
- **Limit Switch Type :** Magnetic Reed Switch



Telefax:+98 21 76251044,5

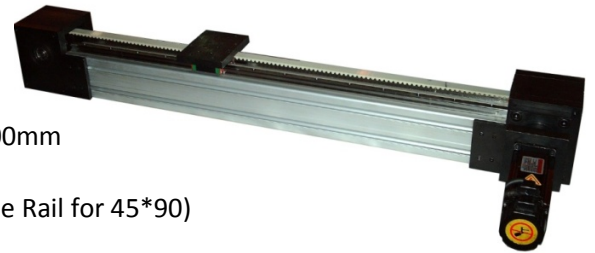
[www.ami.co.ir](http://www.ami.co.ir)

[info@ami.co.ir](mailto:info@ami.co.ir)

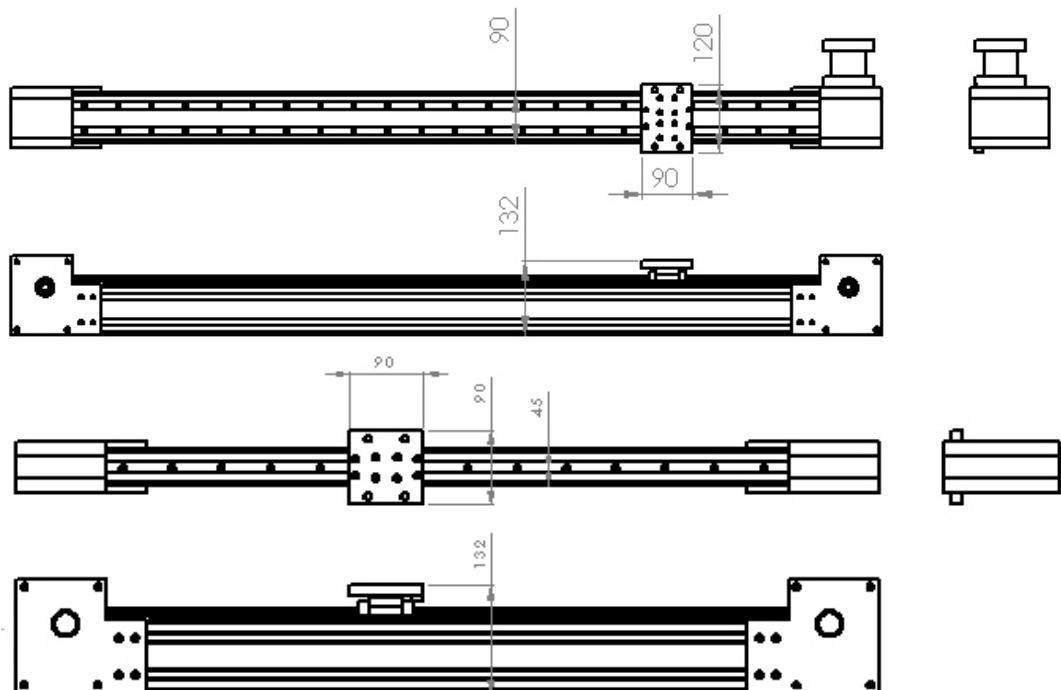
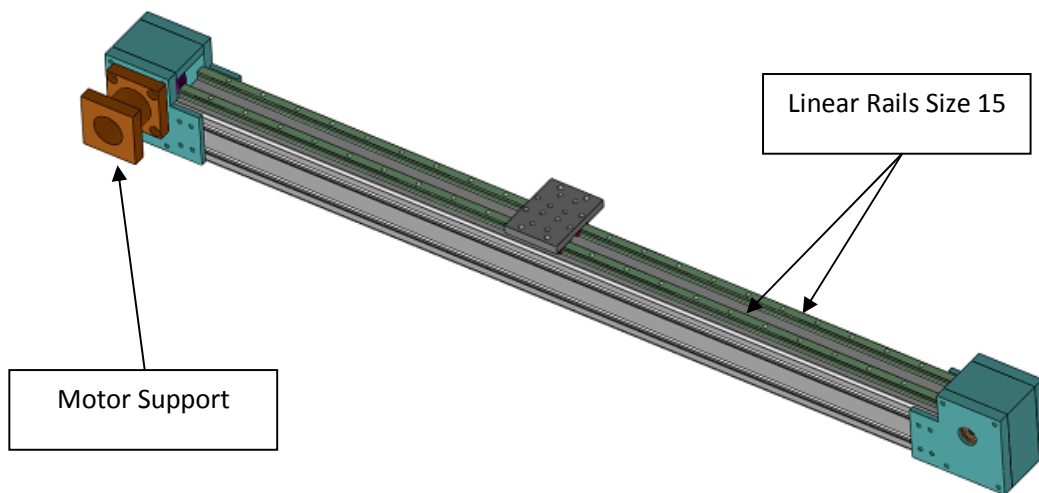
# AMI Linear Actuators



## Timing belt driven linear unit



- **Stroke :** 200,400,700,1300,1900,2500,3600,4600,5800mm
- **Type of guide :** linear rail 15 (Two rails for 90\*90 , One Rail for 45\*90)
- **Type of transmission:** Timing belt 5M
- **Frame material and size :** Aluminum 90\*90mm , 45\*90mm



Telefax:+98 21 76251044,5

[www.ami.co.ir](http://www.ami.co.ir)

[info@ami.co.ir](mailto:info@ami.co.ir)