

FMC-NKS -K017-PCIe-A High Pin Count FMC Carrier Kintex-7 Processing PCIe Card

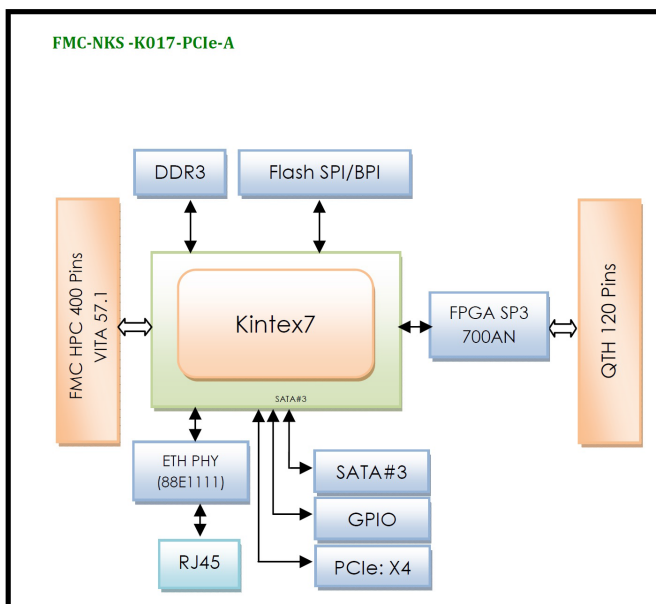
Description

The FMC-NKS-K017-PCIe-A board is a high performance FMC industrial carrier card based on the Xilinx Kintex-7 FPGA family and plugged into a serial PCIe bus system unit supporting 1x and 4x PCIe data paths, Ethernet10/100/1000 and SATA. This board also provides a developed platform for designing and verifying Kintex-7 FPGA based PCIe and stand-alone applications. Communication with a host computer via the PCIe bus and other interfaces enables users to control the card, modify algorithm settings and process real-time signals. The on-board FPGA Mezzanine Connectors (FMC) can make a high bandwidth data transfer channel with VITA 57.1 standard modules.

Features

- Kintex XC7K325T-1FFG676I Xilinx Device Compatible with 70T, 160T and 410T Kintex-7 Family
- Spartan-3 XC3S700AN
- 3x SATA ii, iii
- PCI Express x4 Edge Connector
- FMC HPC for ADC/DAC FMC Modules Connect to FPGA
- QTH Connector Connect to FPGA Spartan-3
- 8Gb DDR3 Component Memory
- Ethernet PHY 10/100/1000 Interface with RJ-45 Connector
- USB JTAG Module
- User Push-button, Switches, LEDs
- Multi-boot Configuration
- Power on/off Slide Switch
- 12V PCIe HDD Connector or External Voltage Supply
- Physical Dimensions (L: 185 mm, W: 135 mm)
- Industrial Temperature Range (-40°C to 85°C)
- Operation System Support: Windows & Linux

Functional Block Diagram



Application

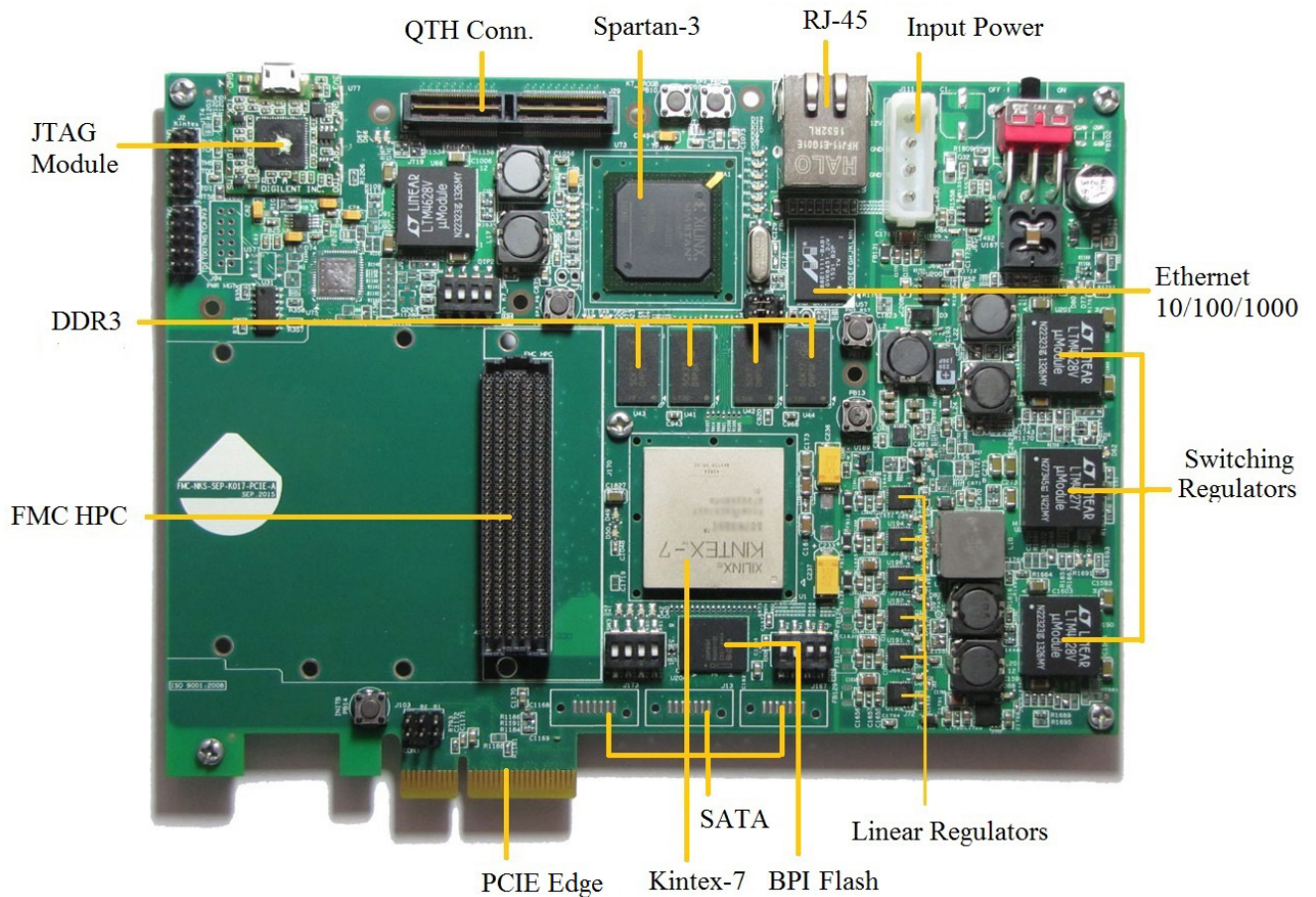
- RADAR/SONAR
- Communications
- Multimode Digital Receivers
- Ultrasound Equipment
- Broadband data Applications

WWW.NIKSOO.COM/FMC-NKS-K017-PCIe-A

Support: support@niksoo.com
Email: info@niksoo.com

www.niksoo.com

Board Features



Compatibility Table*

| NIKSOO Platform | Compatibility |
|-----------------|---------------|
| FMC-NKS-210000 | Yes |
| FMC-NKS-210210 | Yes |
| FMC-NKS-402410 | Yes |
| FMC-NKS-401000 | Yes |
| FMC-NKS-000210 | Yes |
| FMC-NKS-110110 | Yes |
| FMC-NKS-601000 | Yes |
| FMC-NKS-401110 | Yes |
| FMC-NKS-401210 | Yes |

* Compatible with any Module Follows VITA 57.1 Standard