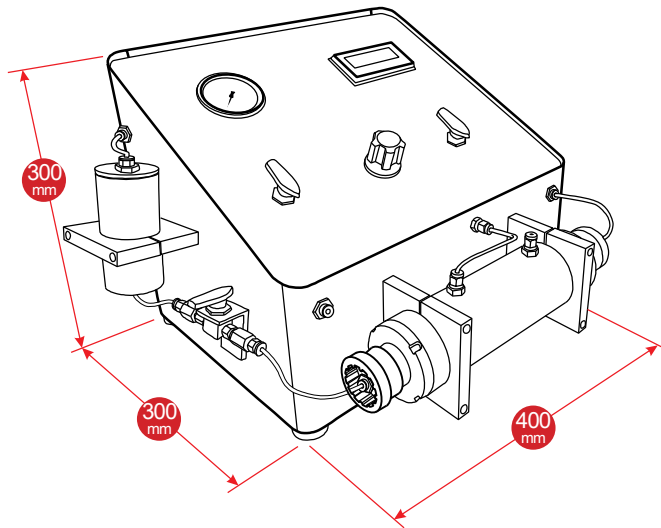


PPA  
LPEM.Ed

# LIQUID PERMEAMETER

Educational  
Type



The Liquid Permeameter is a manual system designed for teaching experimental concepts in single liquid permeability of plug sized core samples at room conditions. The liquid permeability determination is based on the Darcy's law. This low cost apparatus is particularly interested for educational purposes.

## Specifications

Permeability Range:	0.1 md to 5 darcy
Core diameter:	1.5 inch
Core length:	1 to 3 inch
Flow Pressure:	up to 100 psi
Confining pressure:	up to 600 psi
Temperature:	Ambient
Pressure sensor accuracy:	±0.25 F.S.

