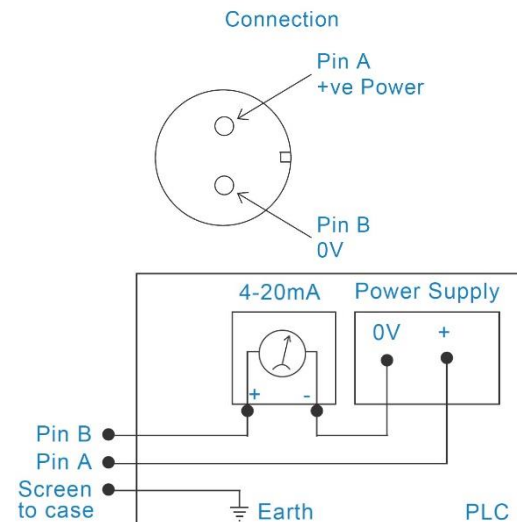
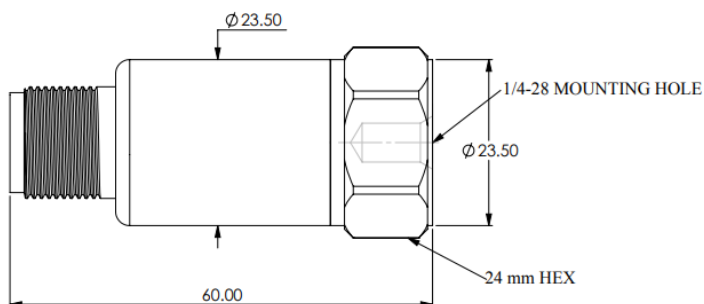


## Velocity Transmitter

VT 25/50/100 series are loop powered industrial vibration sensors, a cost-effective solution for measuring vibration velocity of industrial rotary machines.

This 4-20mA transmitters can be directly connected into standard loop powered instruments such as PLC or simple indicators.



Specification	Unit	Model
		VT 25 / VT 50 / VT 100
Measurement Range	mm/s	25 / 50 / 100 (Optional)
Frequency Range ( $\pm 10\%$ )	Hz	10 ~ 1000
Dynamic Range	g	50
Electrical Output	---	4~20 mA (Loop Powered)
Power Supply	VDC	15 ~ 30
Isolation	---	Base isolated
Connector	---	2 Pin MIL-C-5015
Maximum Cable Length	m	1000
Operating Temperature	$^{\circ}\text{C}$	-20 ~ +90
Storage Temperature	$^{\circ}\text{C}$	-40 ~ +125
Mounted Resonance Frequency	Hz	> 5000
Temperature Sensitivity	$\% / ^{\circ}\text{C}$	$\pm 0.1$
Non-Linearity	$\%$	$\pm 0.1$
Transverse Sensitivity	$\%$	< 5
Size	mm	24( $\varnothing$ )x60(L)
Weight	gr	150
Case Material	---	Stainless Steel (316L)
Mounting	---	1/4-28" UNF
Mounting Torque	Nm	8
IP Rating	---	IP 66