

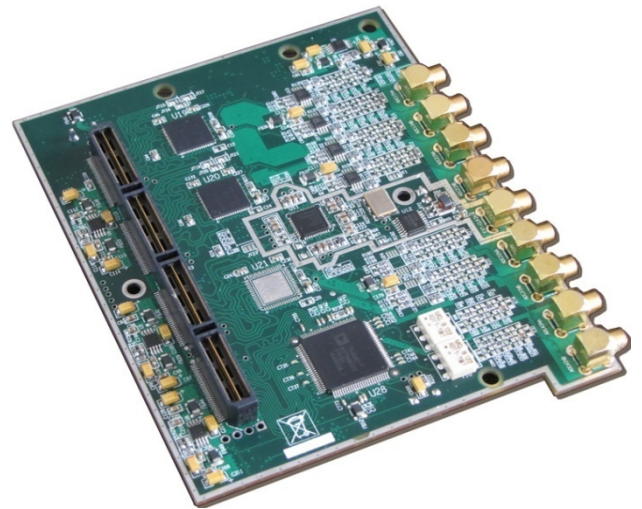
## QTH-NKS-10 High Pin Count QTH Module

### 6- Channel 14-bit ADC 250MSPS

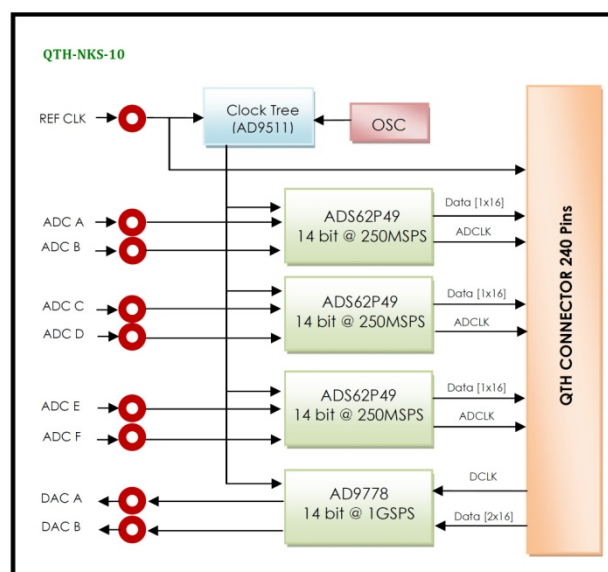
### 2- Channel 14-bit DAC 1GSPS

#### Description

The QTH-NKS-10 is a 6-channel 14-bit ADC at 250MSPS and dual-channel 14-bit DAC at 1GSPS that enable simultaneous and high speed sensitivity. This module was designed based on dual-channel ADS62P49 ADC of TI Company with CMOS or DDR LVDS outputs and dual-channel AD9778 DAC of Analog Device Company with CMOS inputs. The clock sampling can be provided from an external or internal source and then send to distribution clock unit. This module can use on every carrier card which follows the QSH/QTH standard; therefore it can have the maximum data throughput and minimum latency.



#### Functional Block Diagram



[WWW.NIKSOO.COM/QTH-NKS-10](http://WWW.NIKSOO.COM/QTH-NKS-10)

Support: [support@niksoo.com](mailto:support@niksoo.com)  
Email: [info@niksoo.com](mailto:info@niksoo.com)

[www.niksoo.com](http://www.niksoo.com)

## Features

### ADC's:

- 6 Channels, 14-bit Resolution, 250 MSPS
- SNR = 73 dBFS @ 70 MHz and 250 MSPS
- SFDR = 86 dBc @ 70 MHz and 250 MSPS
- ENOB = 11.6 Bits @ 70 MHz and 250 MSPS
- Analog Input Filter Options
- Efficient DDR LVDS-Compatible Outputs
- Analog Input: 2V p-p Range
- Xtalk Isolation >91 dB
- Differential Input with 450 MHz Bandwidth
- QTH Interface Connector for Digital Input Output, Power LEDs and Single-ended MCX Connector for AIN, AOUT& EXTCLK
- Direct ADC/DAC Connection to Host FPGA Ensures
- Maximum Throughput
- Physical Dimensions (L: 113 mm, W: 92.2 mm)
- Industrial Temperature Range (-40°C to 85°C)

### DAC's:

- 2 channels, 14-bit Resolution, 1GSPS DAC Converters
- Analog Output Filter Options
- Interleaved I/Q data for Dual-DAC Mode
- Analog Output: 1V p-p Range
- 3.3V Analog Supply Operation
- 2x, 4x and 8x Interpolation Filters
- Maximum Differential Output with 500 MHz Bandwidth
- High Performance AC-Coupled Analog Output
- SFDR = 80dBFS

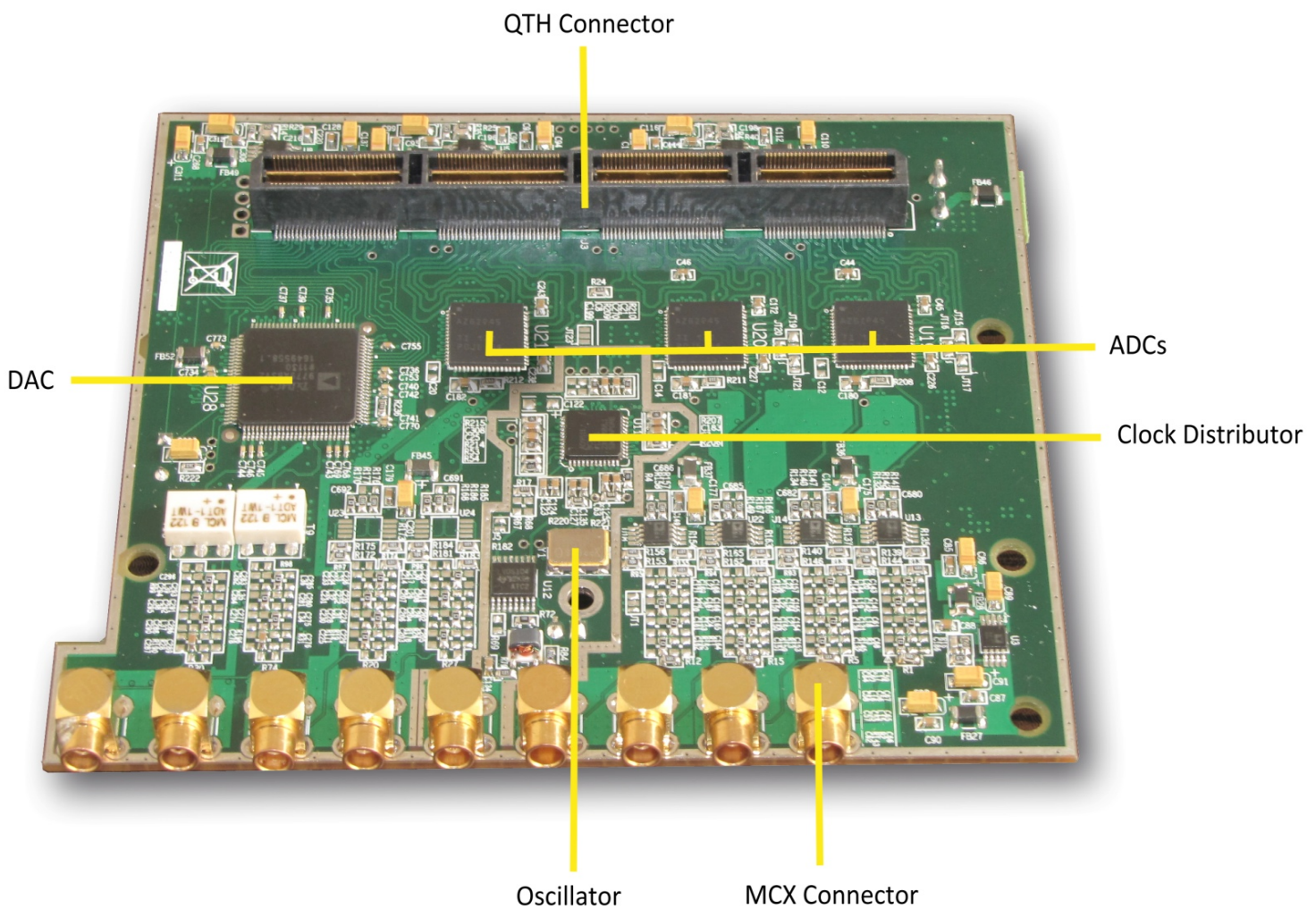
### Other's:

- Serial Port Control: Programmable Clock and Data Alignment
- On-board Clock Distributer

## Application

- RADAR/SONAR
- Medical Equipments
- GPS
- Wide Band-Width Communications

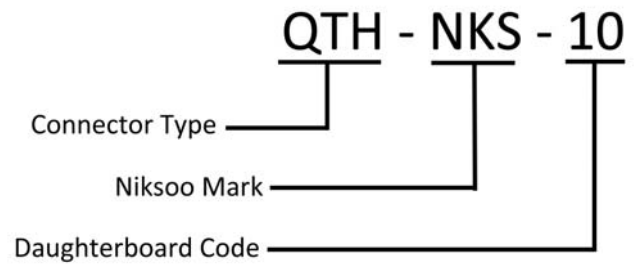
## Board Features



## Compatibility Table

NIKSOO Platform	Compatibility
SP-V4SX55-PCI-A	Yes
NKS-V5-PCIE-A-SX50T	Yes
NKS-V5-PCIE-A-SX95T	Yes
FP-NKS-01-A	Yes
NKS-V5-PCI-A	Yes
FMC-NKS106-PCI-A	Yes
FMC-NKS016-PCIE-A	Yes

## Order Information





# QTH-NKS-10

---