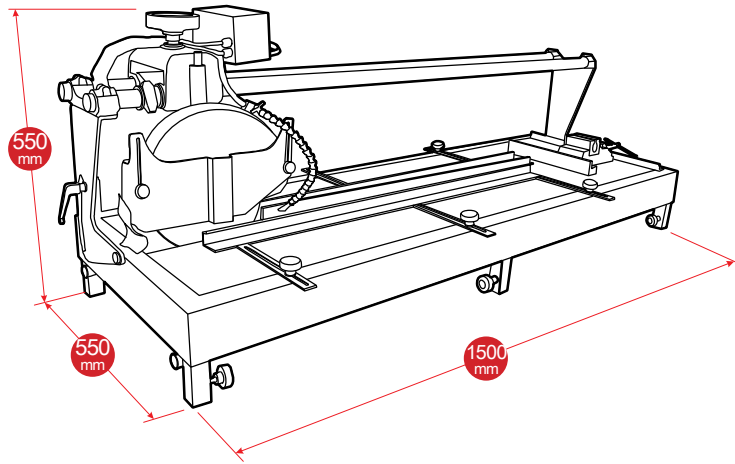


PPA-CST

CORE CUTTING MACHINE



Core Cutting Machine is a category of rock saws that includes a variety of cutting machines with different specifications, used to cut and slab whole core samples. In some models, additional facilities for trimming core plugs are provided. A variety of blades with segmented and continuous diamond rims for cutting and slabbing whole cores are provided to prepare them for Routine and Geological tests. The machine utilizes a water cooling system to permit rapid and efficient cutting without damages to the blade and the machine.

Specifications

Blade diameter:	Up to 11.8 inch
Maximum cutting depth:	5 inch
Compatible coolant:	Water
Rotation speed:	3000 RPM
Motor power:	2500 watts

