



Syringe Pumps Products Catalog



Caspian Electro Mechanic Technologists **CEMTCO**



Manual Syringe Pump

MP-2017

Volume of Cylinder : 120 cc

Pressure : 10000 PSI

Material of Cylinder : SS316L

Piston Seals : Polytetrafluoroethylene (PTFE)

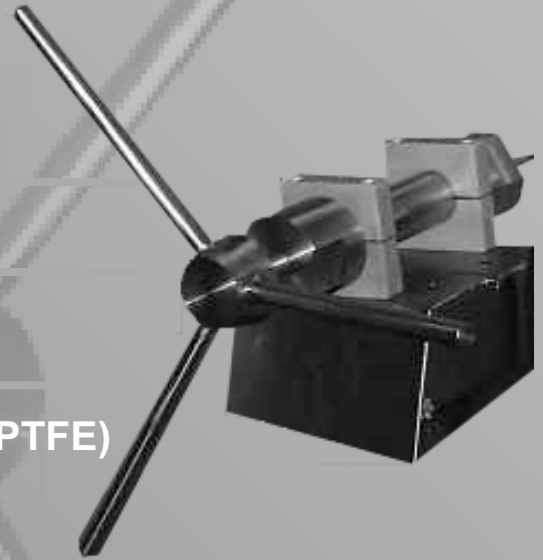
Options :

Pressure Transmitter with indicator

Temperature system: Heater with pt100 and indicator

Volume Measurement System and indicator

Data Acquisition System



Caspian Electro Mechanic Technologists **CEMTCO**



Single Syringe Pump

SP-2017

Volume of Cylinder : 500 cc

Pressure : 10000 PSI

Max. & Min. Inject or Reverse rate:

Min. : 0.01 cc/Min

Max. : 200 cc/Min f

PID Pressure or Flow Control System

AC Servo Motor and Driver

HMI case view 360 degrees

Siemens PLC Base & Color HMI

Color Touch Panel HMI with Data Logger System

Volume Control and Measurement System : Accuracy : 0.004 cc

Material of Cylinder : SS316L

Options :

Pressure Transmitter with 1% FS

Temperature system: Heater with pt100

Piston Seals with Polytetrafluoroethylene (PTFE)

PC softwaer for control





ساخت ایران



فن آوران الکترومکانیک کاسپین

caspian

Double Syringe Pump

DP-2017

Volume of Cylinder : 60 cc

Pressure : 10000 PSI

Tow Single or One Double Pump

With Oil Free Compressor

Air Valves for Single and Dual Pump

PID Pressure or Flow Control System

AC Servo Motor and Driver

HMI case view 360 degrees

Siemens PLC Base & Color HMI

Color Touch Panel HMI with Data Logger System

Min. Inject Rate : 0.001

Max. Inject Rate : 32 cc/Min

Volume Control and Measurement System : Accuracy : 0.004 cc

Material of Cylinder : SS316L

Options :

Pressure Transmitter with 1% FS

Temperature system: Heater with pt100

Piston Seals with Polytetrafluoroethylene (PTFE)

PC softwaer for control



Caspian Electro Mechanic Technologists **CEMTCO**

www.cemtco.ir



ساخت ایران



فن آوران الکترومکانیک کاسپین

aspian

Triple Syringe Pump

“Three Single” or “One Double and One Single” or “One Triple” Pump

TP-2017

Volume of Cylinder : 100 cc

Pressure : 10000 PSI

Siemens PLC Base & Color HMI

AC Servo Motor and Driver

HMI case view 360 degrees

PID Differential or One Point Pressure or Flow Control System

Air Valves for Single or Dual or Triple pump

With Oil Free Compressor

Color Touch Panel HMI with Data Logger System

Min. Inject Rate : 0.005 cc/Min

Max. Inject Rate : 64 cc/Min

Volume Control and Measurement System : Accuracy : 0.004 cc

Material of Cylinder : SS316L

Piston Seals with Polytetrafluoroethylene (PTFE) for oil and salt water

Options :

Pressure Transmitter with 1% FS

Tow Core Holder Stand

Temperature system:

Electric Oven - Fan - pt100 and - Controller : Accuracy 0.2 Centigrade Degrees

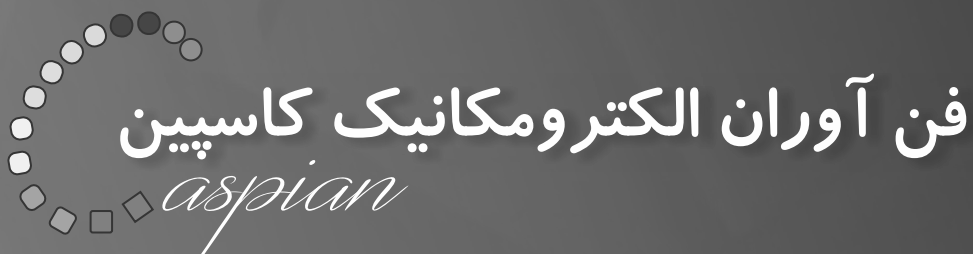
PC software for control

Manual Valves



Caspian Electro Mechanic Technologists **CEMTCO**

www.cemtco.ir



فن آوران الکترومکانیک کاسپین

aspian

دفتر رشت: کیلومتر ۷ جاده لاکان مرکز رشد واحدهای فن آور دانشگاه آزاد گیلان

تلفن : ۰۱۳-۳۳۴۰۲۳۰۳ فکس : ۰۱۳-۳۳۴۰۲۳۰۵

کارخانه رشت: کیلومتر ۱۰ جاده تهران - جاده شهرک صنعتی (کانال) روستای فشتام

مرکز کارگاههای نیمه صنعتی پارک علم و فناوری گیلان

www.cemtco.ir

salitothidi@gmail.com

Ali Tohidi : Tel : +98 9124024324

Caspian Electro Mechanic Technologists **CEMTCO**

www.cemtco.ir